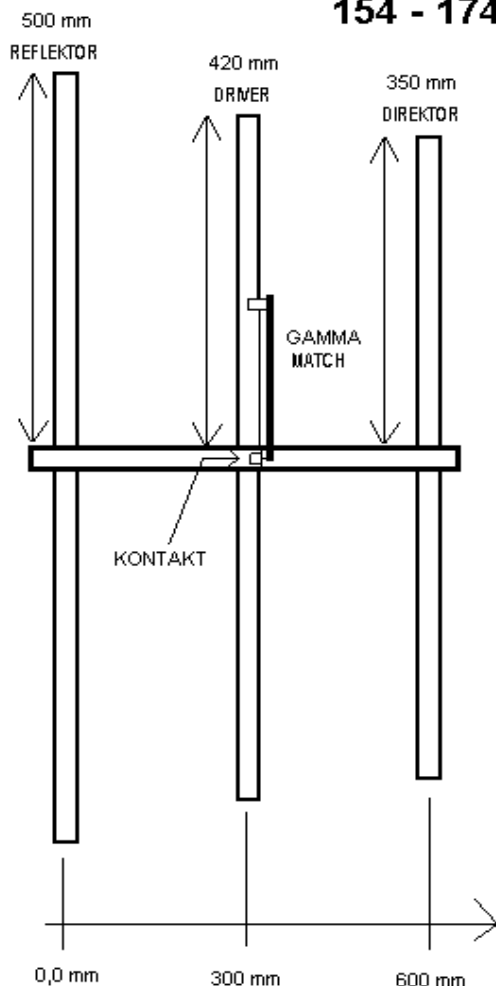


SCANNERNYTT's 3 el. Wideband YAGI 154 - 174 MHz



Freq: 154,000 MHz
Gain: 7,06 dBi
F/R: 12,80 dB
Z: 35,7 -j 29,7
SWR: 2,09:1

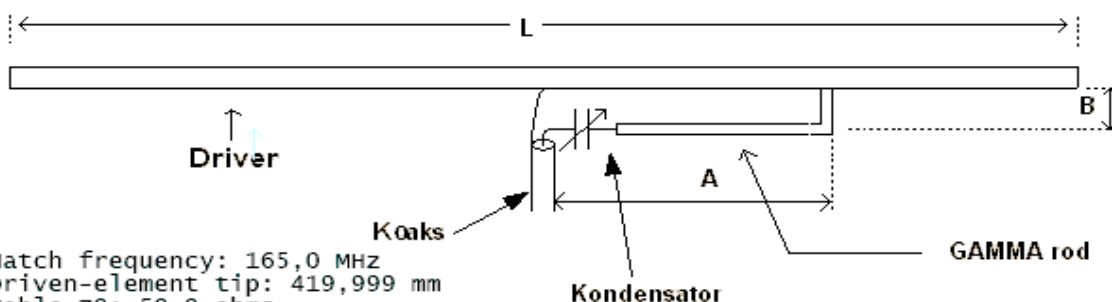
Freq: 164,000 MHz
Gain: 6,78 dBi
F/R: 16,88 dB
Z: 51,5 +j 6,6
SWR: 1,00:1

Freq: 174,000 MHz
Gain: 7,21 dBi
F/R: 15,09 dB
Z: 52,9 +j 45,1
SWR: 1,99:1

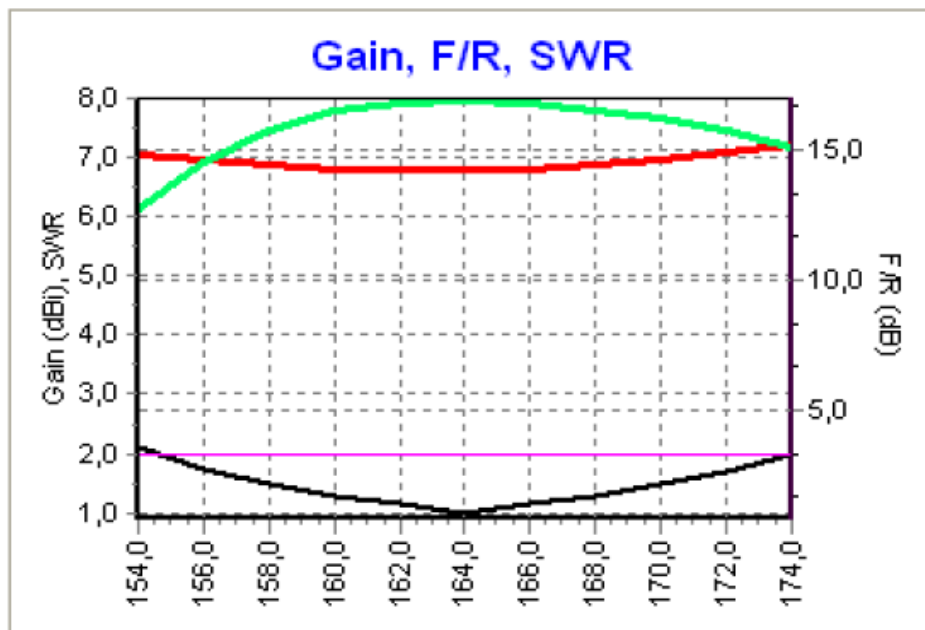
Diameteren på elementene er 10 mm

Design: LA8OKA Martin Storli
<http://www.arcticpeak.com>
arcticpeak@yahoo.no

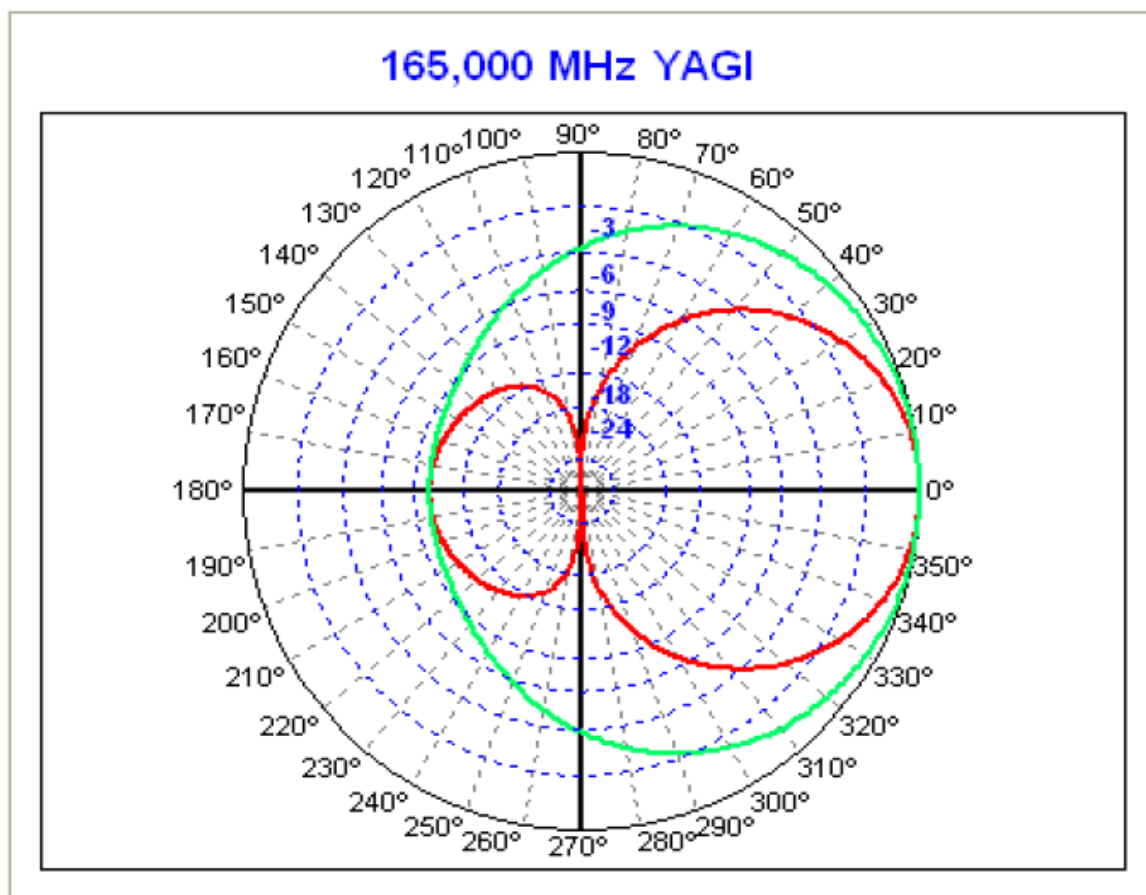
GAMMA MATCH



Match frequency: 165,0 MHz
Driven-element tip: 419,999 mm
Cable Z0: 50,0 ohms
Gamma rod diameter: 10,0 mm
Gamma rod spacing: 50,0 mm
Gamma capacitance = 10,5 pF
Gamma rod length = 105,76 mm



Freq:	154,000 MHz	164,000 MHz	174,000 MHz
Gain:	7,06 dBi	6,78 dBi	7,21 dBi
F/R:	12,80 dB	16,88 dB	15,09 dB
Z:	35,7 -j 29,7	51,5 +j 6,6	52,9 +j 45,1
SWR:	2,09:1	1,00:1	1,99:1



Max. Gain: 6.77	F/B: 13.75758	E BW: 72 Deg
Free Space	F/R: 13.75758	H BW: 138 Deg